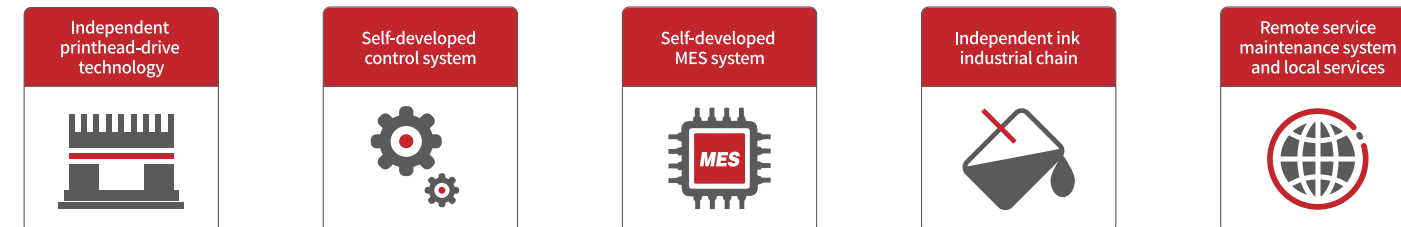


Specifications

Model	Glory2504				
Dimensions (L * W * H)	8.1 * 6.4 * 2.6 m (Printer)				
	12.1 * 6.4 * 2.6 m (Printer + Dryer + Varnish)				
	13.9 * 6.4 * 2.6 m (Printer+ Dryer + Varnish + Slotter)				
	14.3 * 6.4 * 2.6 m (Printer+ Dryer + Varnish + Slotter + Die-Cutting Unit)				
Board Size	Maximum: 2500 * 2000 mm (Print Width * Feeding Direction) Minimum: 600 * 400 mm (Print Width * Feeding Direction)				
Slotter	240 * 42 * 240 * 42 mm (Min. Slot Spacing, New Version), 420 mm (Max. Slot Depth)				
Printing Mode	Resolution	600 * 600	600 * 450	600 * 400	600 * 300
	Max. Productivity	100 m/min	133 m/min	150 m/min	180 m/min
Substrate Information	Type	Wide range of corrugated boards (corrugated carton brown/white, etc.)			
	Max. Media Width	2500 mm			
	Thickness	1 - 15 mm			
Handling	Leading-edge feeder, media positioning, vacuum suction, conveyor belt; all designed for smooth movement and high-quality printing				
Printing	Technology	Single Pass, print-on-demand, piezoelectric inkjet technology			
	Printhead	Industrial-grade Piezoelectric Printhead			
	Ink Type	Water-based Ink			
	Ink Color	CMYK			
Printhead Quantity	Max. 20 pcs per color, Max. Printing Width 2160 mm				
RIP	3rd party professional RIP control system, PDF, EPS, TIFF, JPEG, AI, etc.(Optimal color solutions for substrates of your choice)				
Other Features	Automatic warp detection and warning system, Automatic ink consumption calculating function, Remote monitor system for instant on-line error detection and resolution, Production management system available				
Environment	22 - 28°C (Temperature), 45 - 65% RH (non-condensing)(Humidity), AC380 V, 3P+PE, 50/60 Hz (Power), 0.6 - 0.84 MPa (Air)				
Total Power /In Actual Production (Reference Only)	Printer	69 kW/40 kW			
	Varnish	93 kW (Dryer 76 kW)/15 kW (Dryer Excluded)			
	Dryer	89 kW (Dryer 76 kW)/12 kW (Dryer Excluded)			
	Slotter	77 kW/20 kW			
Die-Cutting Unit	38 kW/15 kW				
Weight	15.2 T(Printer), 4 T (Varnish), 3.2 T (Dryer), 8 T (Slotter), 3 T (Die-Cutting Unit), 1.8 T (Rail System (max.))				

Industrial Digital Printing Solution Provider



Shenzhen Hanway Industrial Digital Equipment Co.,Ltd.

Add: No.39 Qingfeng Road, Baolong Street, Longgang District, Shenzhen (2-3/F, Building C, Jingmida Digital Culture Industry Park - HanGlory Group)

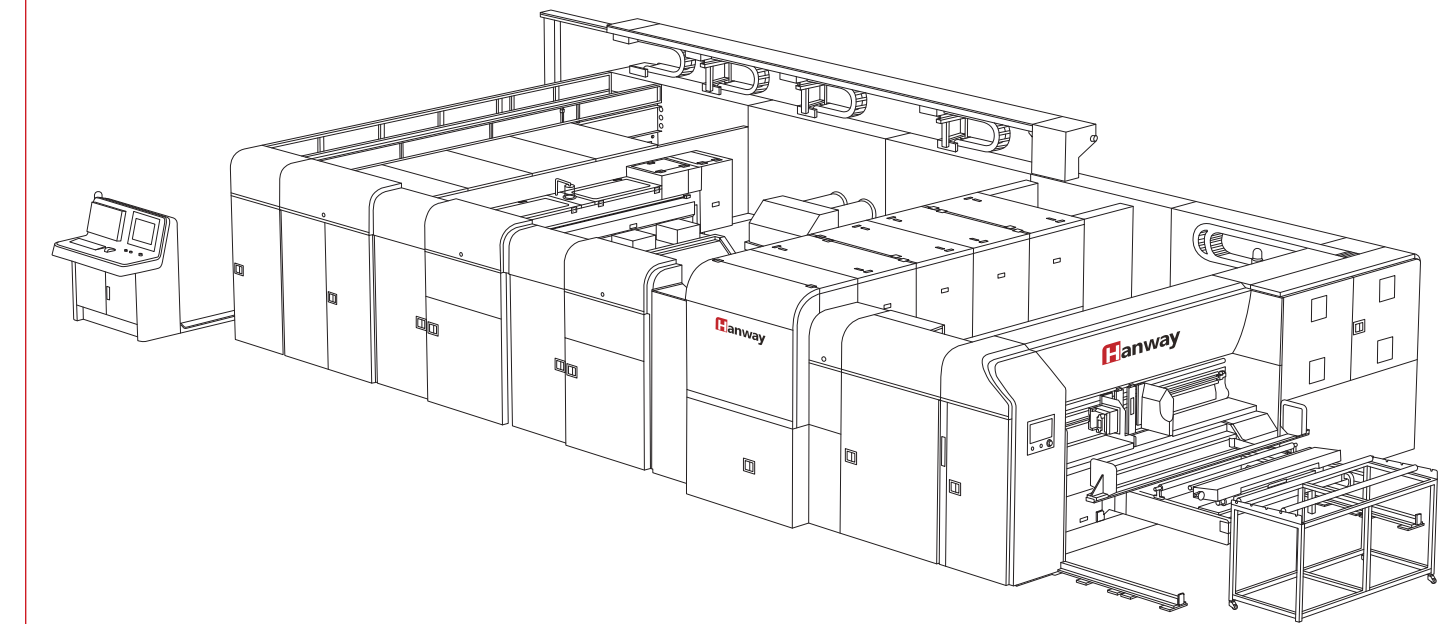
Tel: +86 0755-23080896 **E-mail:** info@hanglorygroup.com

Fax: +86 0755-23217841 **Web:** www.hanglorygroup.com/en

© The above information is for reference only. Shenzhen Hanway Industrial Digital Equipment Co., Ltd. reserves the right of final interpretation. Descriptions, illustrations and specifications here of are subject to change without prior notice. Final details shall be subject to contract signed.

Glory2504

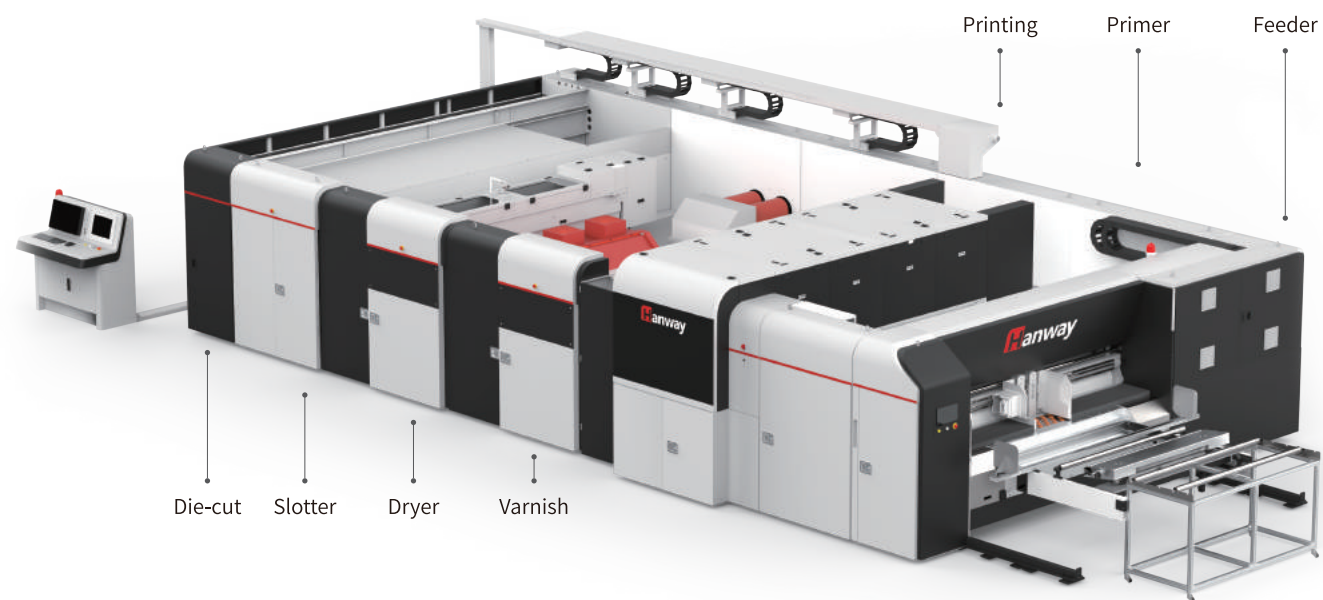
HIGH-SPEED LARGE-FORMAT SINGLE PASS CORRUGATED DIGITAL PRINTER



Breakthrough Single Pass technology reshapes the value of corrugated packaging

Opening the Golden Age of Efficiency, Width and Quality

Hanway drives industrial packaging production into a new era of digitalization with the revolutionary high-speed large-format Single Pass corrugated digital printer. Glory2504 is selling well in the global market with amazing productivity, large-format, printing quality and stability, the inline solution can meet the actual production needs of customers to help companies quickly expand their customer base and increase profits.



Breakthrough Large-format Applications and Productivity

- No plate-making, no min. order limitation, fast delivery, immediate desirability
- Cost saving for plate-making, labor, storage in the preceding period
- Max. productivity: **17,773 m²/hr**
Max. printing width: **2,160 mm**

Excellent Performance of Hardware & Software

- Modular design for easy installation, adjustment and maintenance
- Advanced linear motor drive for more stable and efficient printing
- Printhead thermostatic humidity control system improves operating efficiency
- Trolley automatic anti-collision protection extends the useful life of printheads

Faster Response to Market Demands

- One-time output of orders with the same specification, seamless and continuous production of complex full-size orders
- Diverse infinite designs to meet multi-version, personalized and variable data orders
- Brand protection and anti-counterfeiting traceability, creating personalized marketing campaigns and increasing profits

Integrated & Automated & Intelligent

- End-to-end workflow solution: feeding + pre-coating + printing + varnish + drying + slotting + die-cutting
- Multi-process integration achieves more labor-saving, higher efficiency; high automation brings higher value
- Manufacturing Execution System realizes efficient production management

Die-cutting



Less Ink Consumption



- Order Quantity: 1000 pcs
- Image Dimension: 2000 * 1082 mm
- Material: Coated paper
- Ink: Pigment
- Resolution: 600 * 600 DPI



Higher Printing Quality

Multi-stage grayscale printing and 600 DPI resolution can achieve high-end flexo printing quality



Faster Order Switching



Richer Pattern Designs



Multi-color available



Personalized & customized designs



VDP Support

International Box Specifications Supported by Slotting Unit

● 0200		● 0201		● 0202	
● 0203		● 0205		● 0209	
● 0300		● 0301		● 0306	
● 0310		● 0312		● 0313	
● 0314		● 0320		● 0325	
● 0404		● 0405		● 0410	
● 0452		● 0453		● 0501	
● 0502		● 0503		● 0504	
● 0505		● 0507		● 0509	
● 0510		● 0512		● 0605	
● 0607		● 0608		● 0610	
● 0615		● 0616		● 0620	