

# 行业应用 Industry application

# 设备技术参数 Equipment Technical Parameters

## 材料适用范围 Material application scope

膜类材质: PET/PVC/PP/PE/BOPP等薄膜  
Membrane or film material: PET/PVC/PP/PE/BOPP  
箔类材质: 铝、锡及其他特殊材料  
Foil materials: aluminum, tin and other special materials  
纸类材质: 合成纸和铜版纸  
Paper material: synthetic paper and coated paper



饮品标签  
Beverages



酒类标签  
alcohol



食品标签  
food



水果标签  
fruits



医药标签  
medicine



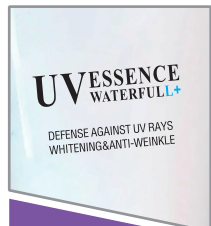
支付标签  
payment



日化标签  
Daily chemicals



化妆品标签  
cosmetics



护理用品标签  
care products



保健品标签  
health products

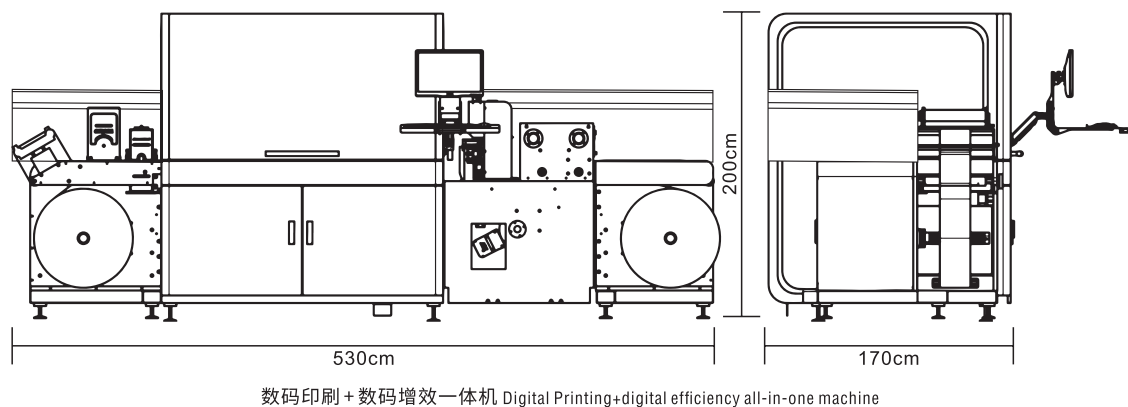
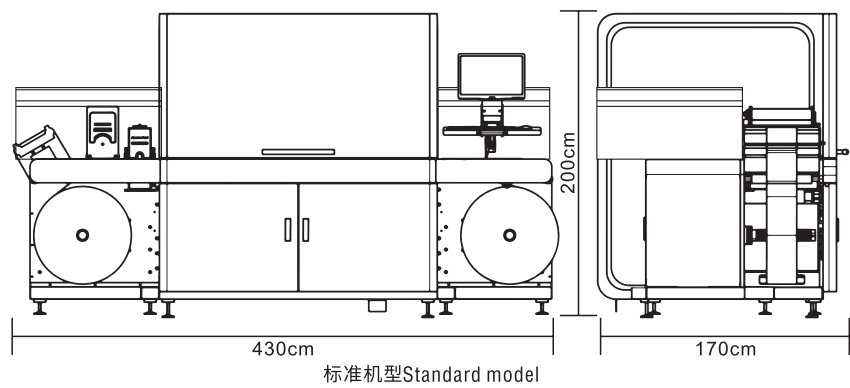


能效标签  
energy efficiency



可变数据标签  
variable data

## 设备参考尺寸 Equipment specification



项目 Item	参数 parameters		
型号 Model	ilabel-220	ilabel-330	ilabel-430
喷头品牌 Brand printhead	京瓷 Kyocera		
<b>喷印参数 Inkjet parameters</b>			
喷头类型 Model of printhead	高精度工业压电喷头 High-precision industrial piezoelectric nozzle		
印刷宽度 Print width	220mm	330mm	430mm
	其他宽度可定制/Other printing widths can be customized		
物理分辨率 Nozzle physical resolution	600dpi(3级灰度) 600dpi (Three levels of gray)		
墨水颜色 Color ink	CMYK (标配), W + CMYK, CMYK + V, W + CMYK + OG + V (选配) CMYK(Standard), W+CMYK, CMYK+V, W+CMYK+OG+V( optional)		
墨滴大小 Ink drop size	3-6-13pl		
印刷速度 Print speed	600x600dpi:50m/min 600x1200dpi:30m/min		
<b>平台参数 Platform parameters</b>			
材料宽度 Material width	60-360mm		60-460mm
	其他宽度可定制/Other widths can be customized		
材料卷径 Material roll diameter	800mm		
材料厚度 Material thickness	0.03-0.5mm		
清洁方式 Cleaning method	双面接触式除尘+等离子除静电 Double-sided contact dust removal + plasma static electricity removal		
材料处理 Material Handling	电晕或柔印预涂 (选择) Corona or Flex Pre-coat		
适用材料 Applicable materials	铜版纸、合成纸、PE、PET、PVC等材料 Coated paper, synthetic paper, PE, PET, PVC, etc.		
设备功能 Function	收放卷控制、送纸功能、纠偏功能、除静电功能、张力检测、断料检测、干燥系统、接头保护、喷印系统、喷头自动清洗、喷头保湿功能、视觉检测 (选配)、静止画面 (选配)、停机回车、视觉套色 (选配)。 Winding and unwinding control, Paper feeding function, Correcting function, Static electricity removal function, Tension detection, Material breakage detection, Drying system, Joint protection, Printing system, Automatic cleaning of the nozzle, Nozzle moisture retention function, Visual inspection, Optional, Still frame, Optional, Stop the machine and returns, Visual color registration(Optional).		
<b>墨路控制 Ink path control</b>			
墨水类型 Ink type	UV 环保墨水 Eco-friendly UV ink		
墨水颜色 Ink color	WCMYK, OVG 可选 WCMYKOVG optional		
墨水容量 Ink capacity	每色 5L 5L each color		
墨路类型 Ink path type	循环墨路系统, 白墨搅拌 Circulating ink path system		
<b>软件控制 Software control</b>			
数据传输 Data transmission	万兆网络和千兆网络 10G network and Gigabit network		
RIP 软件 RIP software	CG 或第三方 RIP 软件 CG or other RIP		
控制软件 Control software	阿诺捷彩色数码控制软件 Arojet color control software		
文件格式 Load file	PDF、PDF / VT、PNG、PRN、TIFF 等 PDF、PDF / VT、PNG、PRN、TIFF, tiff		
<b>固化控制 Curing control</b>			
预固化 Pre curing	一色一预固化 Single color pre-curing		
全固化 Strong curing	LED 灯和汞灯可选 LED lamp and mercury lamp		
冷却方式 Cooling system	全固化水冷辊冷却 Water-cooled roller cooling		
<b>安装环境 Installation Environment</b>			
尺寸(长宽高)Size(L*W*H)	4300x1700x2000 mm		
供电电源 Max Power	三相 380V50/60Hz40kW Three phase 380V50/60Hz40kW		
设备毛重 Weight	4000KG		
工作温度 Installation Environment	23-25℃		
工作湿度 Environment requires	40-60%		
供气要求 Air supply requirements	0.6mpa, 无水无油清洁压缩空气 0.6MPa.Water-free and oil-free clean compressed air		

\*喷印速度以客户实际打样测试为准, 不同分辨率速度不同, 理论最快速度。  
The printing speed is subject to the customer's actual proofing test. Different resolutions have different speeds. The theoretical maximum speed is .